

Errata

NFPA 70[®]

National Electrical Code[®]

2014 Edition

Reference: Various

Errata No.: 70-14-1

The National Electrical Code Correlating Committee notes the following errors in the 2014 edition of NFPA 70, *National Electrical Code*.

How to Use this Errata Sheet

This is a list of errata to the first printing of the 2014 *NEC*[®].

1. In Section 200.7, remove shading from the first line of the title. Add shading to “or Gray” in the second line.
2. In Table 220.3, on list item “Electric vehicle charging system branch-circuit and feeder calculations,” change the section reference to 625.41.
3. Revise the title of Table 220.44 as follows: “**Table 220.44 Demand Factors for Non-Dwelling Receptacle Loads**”
4. In Section 400.4, insert as first sentence “Flexible cords and flexible cables shall conform to the description in Table 400.4.”
5. In heading above 400.30, Part II should be Part III.
6. In 422.51(A), delete “identified for portable use”.
7. Replace Section 490.48 with the following:

490.48. Substation Design, Documentation, and Required Diagram.

(A) Design and Documentation. Substations shall be designed by a qualified licensed professional engineer. Where components or the entirety of the substation are listed by a qualified electrical testing laboratory, documentation of internal design features subject to the listing investigation shall not be required. The design shall address but not be limited to the following topics and the documentation of this design shall be made available to the authority having jurisdiction.

- (1) Clearances and exits
- (2) Electrical enclosures
- (3) Securing and support of electrical equipment
- (4) Fire protection

- (5) Safety ground connection provisions
- (6) Guarding live parts
- (7) Transformers and voltage regulation equipment
- (8) Conductor insulation, electrical and mechanical protection, isolation, and terminations
- (9) Application, arrangement, and disconnection of circuit breakers, switches, and fuses
- (10) Provisions for oil filled equipment
- (11) Switchgear
- (12) Surge arrestors

(B) Diagram. A permanent single-line diagram of the switchgear shall be provided in a readily visible location within the same room or enclosed area with the switchgear and this diagram shall clearly identify interlocks, isolation means, and all possible sources of voltage to the installation under normal or emergency conditions, and the marking on the switchgear shall cross-reference the diagram.

Exception: Where the equipment consists solely of a single cubicle or metal enclosed unit substation containing only one set of high-voltage switching devices, diagrams shall not be required.

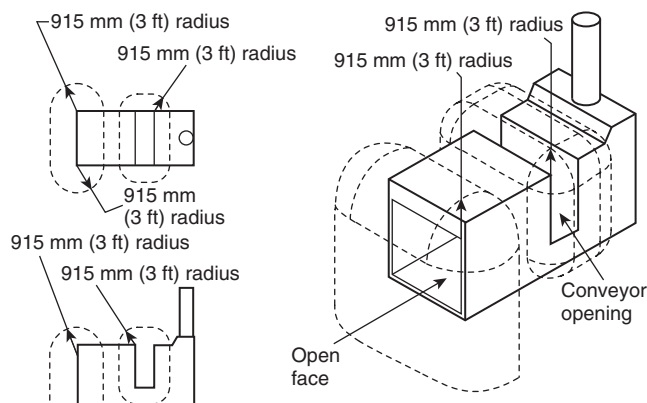
8. Section identifier at the top of page 390 should read “500.9”.

9. Change the references in 506.9(C)(2), Exception, from various sections in 506.9 (D) to 506.9(C) to read as follows:

Exception: Associated apparatus NOT suitable for installation in a hazardous (classified) location shall be required to be marked only with 506.9(C)(2)(2), (3), and (5), but BOTH the symbol AEx in 506.9(C)(2)(2) and the symbol for the type of protection in 506.9(C)(2)(3) shall be enclosed within the same square brackets; for example, [AEx iaD] or [AEx ia] IIC.

10. Revise title of Article 516 to read as follows: **Spray Application, Dipping, Coating, and Printing Processes Using Flammable or Combustible Materials**

11. Replace Figure 516.3(D)(2) with the following:



12. In Section 625.17(A)(1), change the cross-reference from 625.17(B)(1) to 625.17(B).

13. In Section 645.15, delete the second sentence, which reads: “Power systems derived within listed information technology equipment that supply information technology systems through receptacles or cable assemblies supplied as part of this equipment shall not be considered separately derived for the purpose of applying 250.30.”

14. *Delete Section 690.7(F).*
15. *Change reference in last line of Section 690.56(A) to 690.31(G)*
16. *Delete Figure 700.2 and text reference in definition of Emergency Systems.*
17. *Delete Figure 701.2 and text reference in definition of Legally Required Standby Systems.*
18. *Delete Figure 702.2 and text reference in definition of Optional Standby Systems.*
19. *Delete Figure 708.2 and text reference in definition of Critical Operations Power Systems.*
20. *At top of page 664, upper left hand corner, change “(C)” to “705.12”*

Issue Date: September 16, 2013

(Note: Electronic products and pamphlet reprints may have this errata incorporated. For current information about the NFPA Codes and Standards, including this errata, please see www.nfpa.org/codelist)

Copyright © 2013 All Rights Reserved
NATIONAL FIRE PROTECTION ASSOCIATION